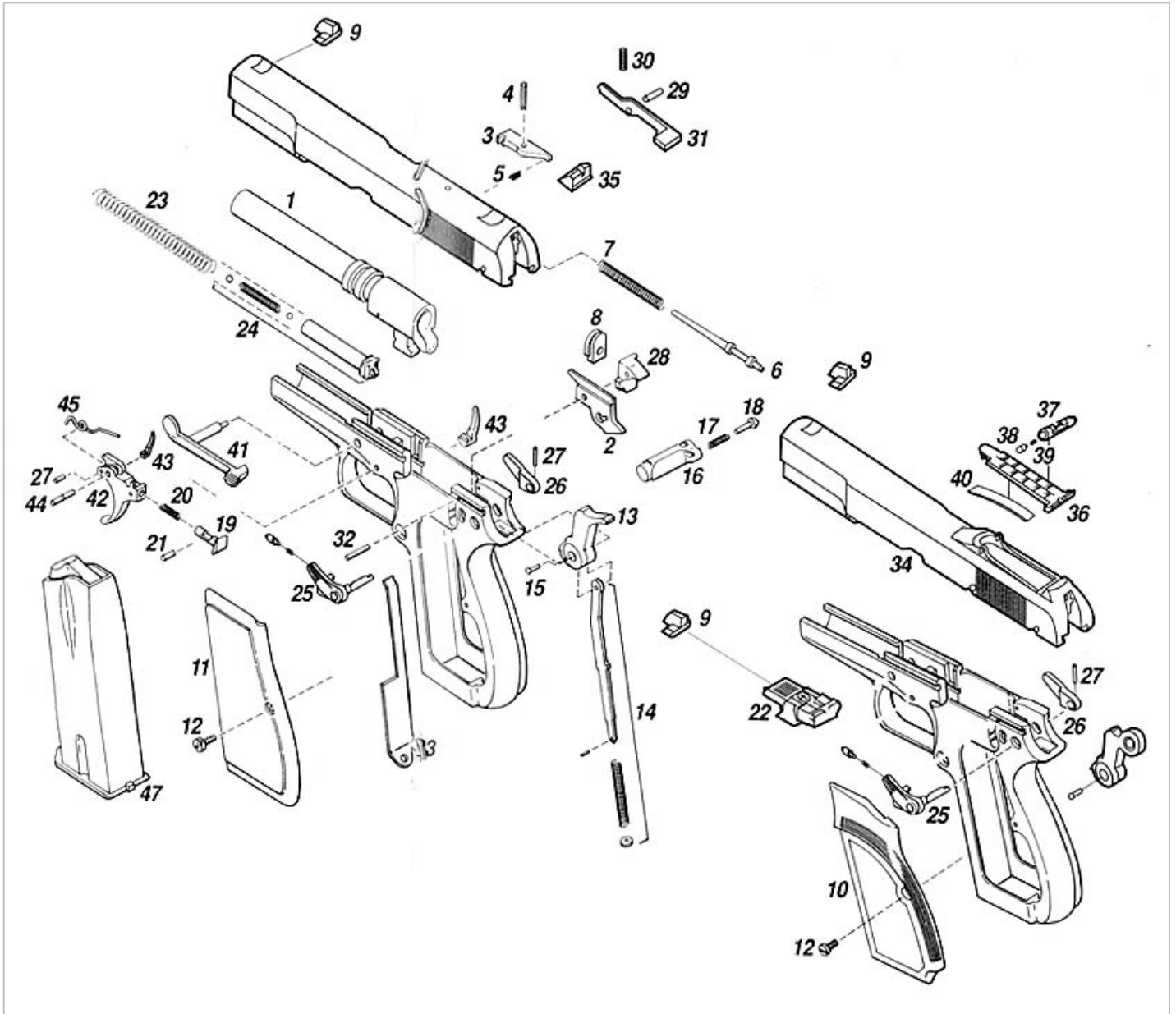


FN Browning Hi Power Schematic with Key



Note: The "Schematics" provided on this site are to be used as a general reference to assist you in identifying parts and may not be an illustration of your EXACT model.

KEY

- | | | |
|---|--|--|
| 1 Barrel | 17 Magazine Latch Spring | 32 Sear Pin |
| 2 Ejector | 18 Magazine Latch Spring Guide | 33 Sear Spring with Button |
| 3 Extractor | 19 Magazine Safety | 34 Slide |
| 4 Extractor Pin | 20 Magazine Safety Spring | 35 Rear Sight, Fixed |
| 5 Extractor Spring | 21 Magazine Safety Pin &
Trigger Spring Pin | 36 Rear Sight, Capitan |
| 6 Firing Pin | 22 Rear Sight, Adjustable | 37 Rear Sight Cursor, Capitan |
| 7 Firing Pin Spring | 23 Recoil Spring | 38 Rear Sight Cursor Lock,
Capitan |
| 8 Firing Pin Retaining Plate | 24 Recoil Spring Guide
Assembly (Slide Stop,
Retaining Ball, Spring & Cap) | 39 Rear Sight Cursor Spring,
Capitan |
| 9 Front Sight | 25 Safety Lever Left, Assembly | 40 Rear Sight Elevation Spring,
Capitan |
| 10 Grip, Left | 26 Safety Lever Right,
Ambidextrous | 41 Slide Stop |
| 11 Grip, Right | 27 Safety Lever Retaining Pin | 42 Trigger |
| 12 Grip Screw | 28 Sear | 43 Trigger Lever |
| 13 Hammer | 29 Sear Lever Pin | 44 Trigger Pin |
| 14 Hammer Strut Assembly
(Mainspring, Mainspring
Support Pin & Nut) | 30 Sear Lever Spring | 45 Trigger Spring |
| 15 Hammer Strut Pin | 31 Sear Lever, Type II | 46 N/A |
| 16 Magazine Latch | | 47 Magazine |